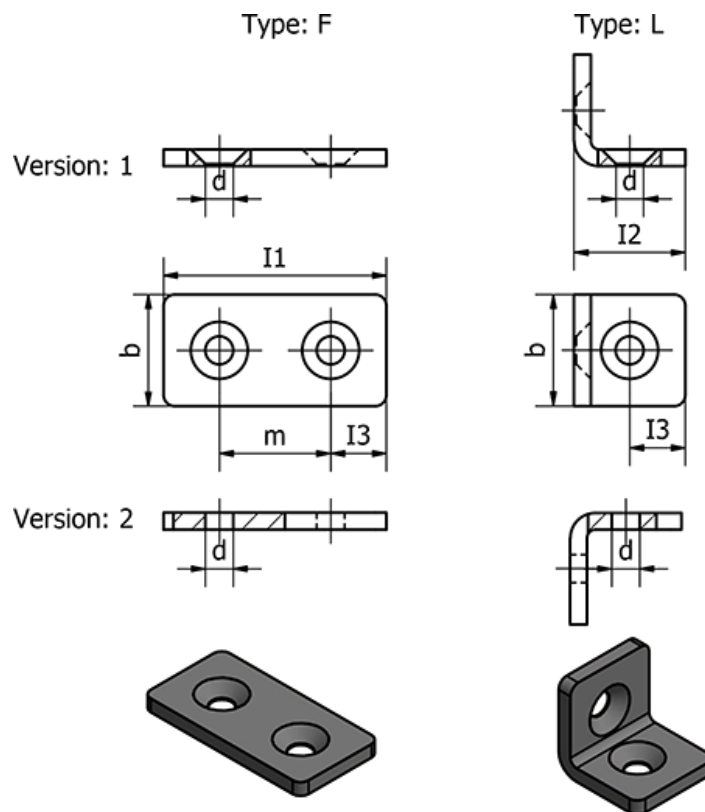


Article number: 209673030L2SR

Description: E+G Angle pieces/Shackels - GN 967-30-30-L-2-SR

## Measures



b	= 30
d	= 6.3
I1	= -
I2	= 30
I3	= 15
m	= 30
s	= 4
Weight (g)	= 48